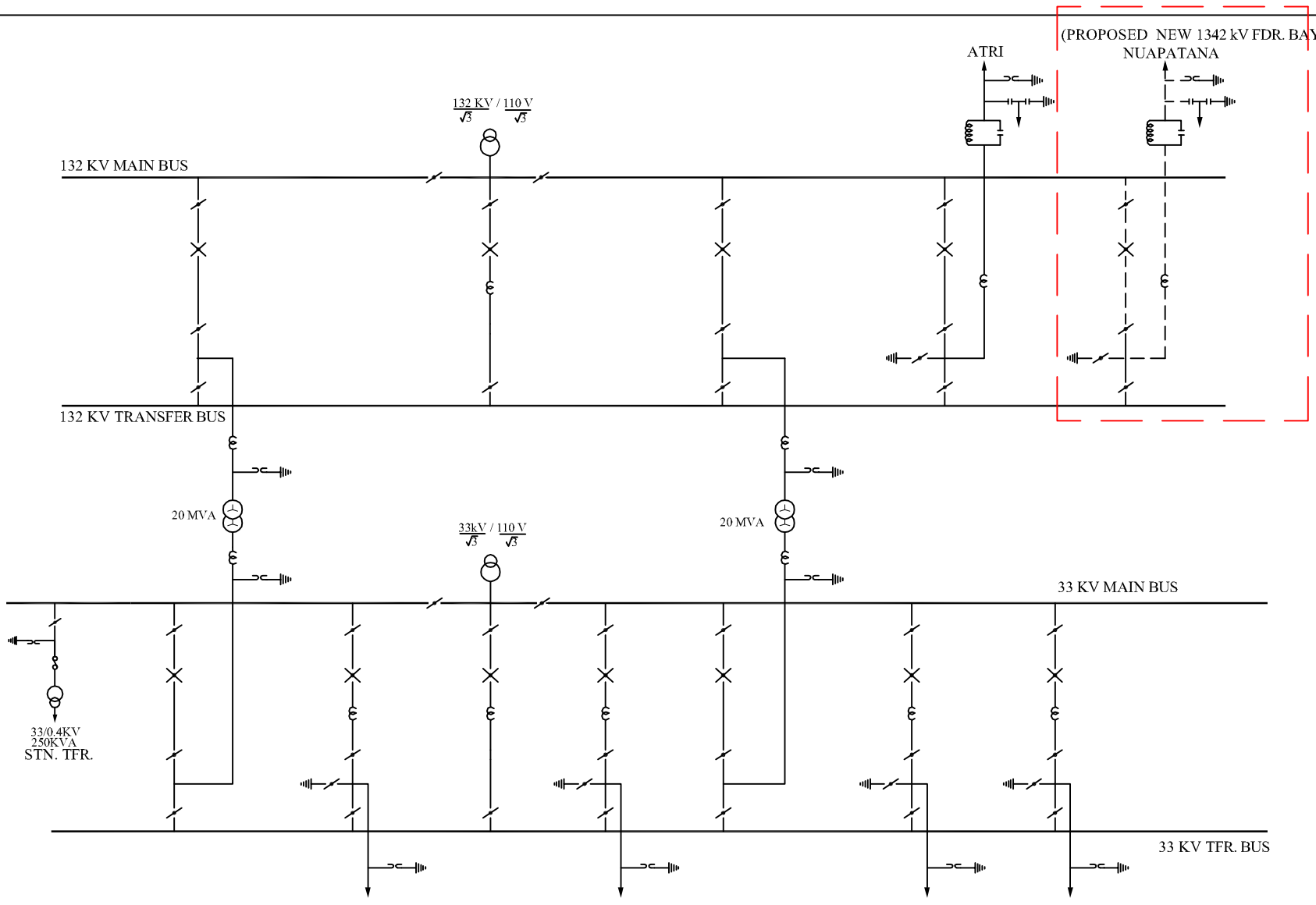
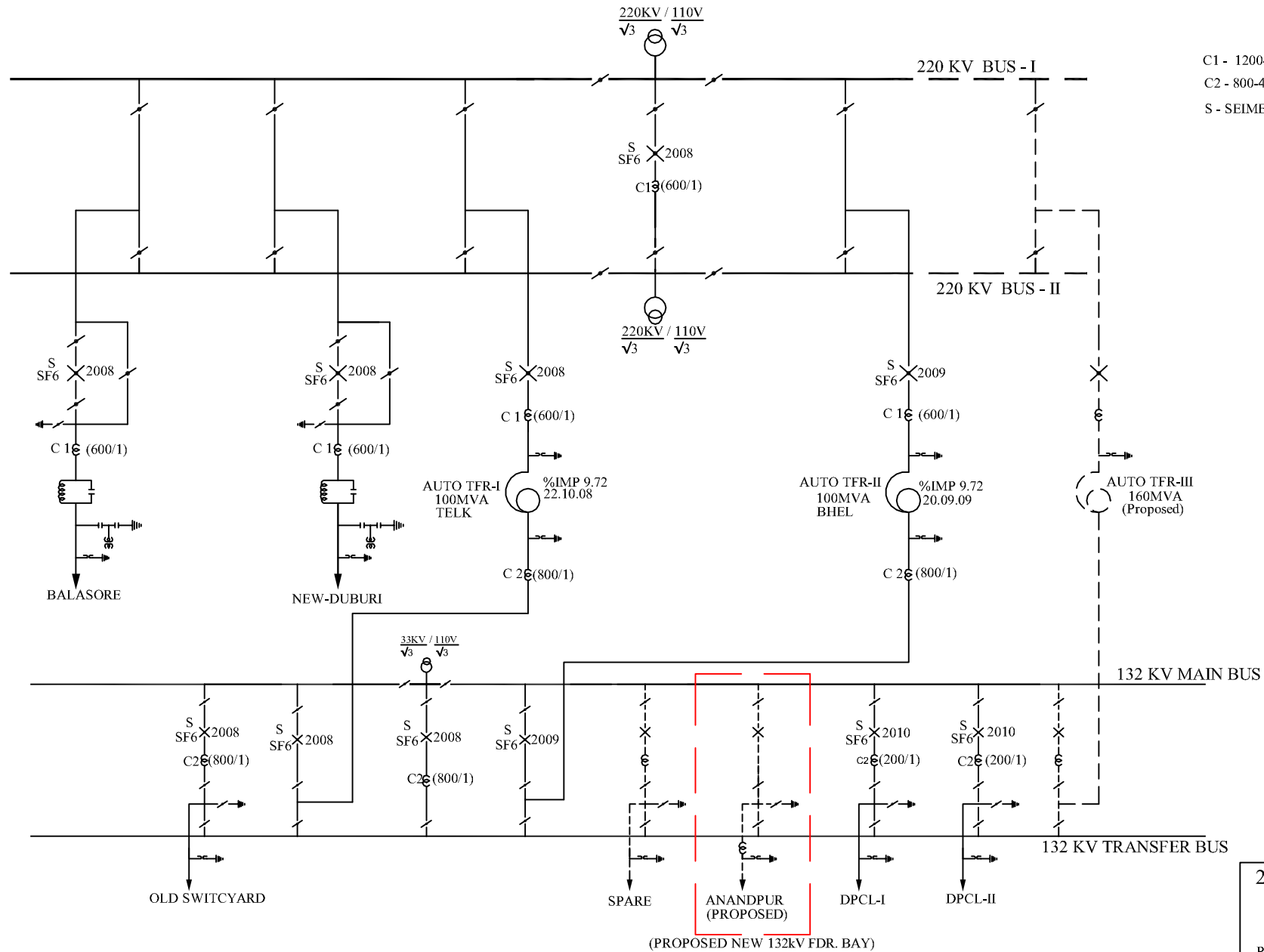


C1 - 800 - 400 - 200/1-1-1-1

BB - BHARAT BIJLEE LTD.  
 GEC - GENERAL ELECTRIC CO.  
 OTPL - ORISSA TRANSFORMERS PVT. LTD.  
 S - SIEMENS



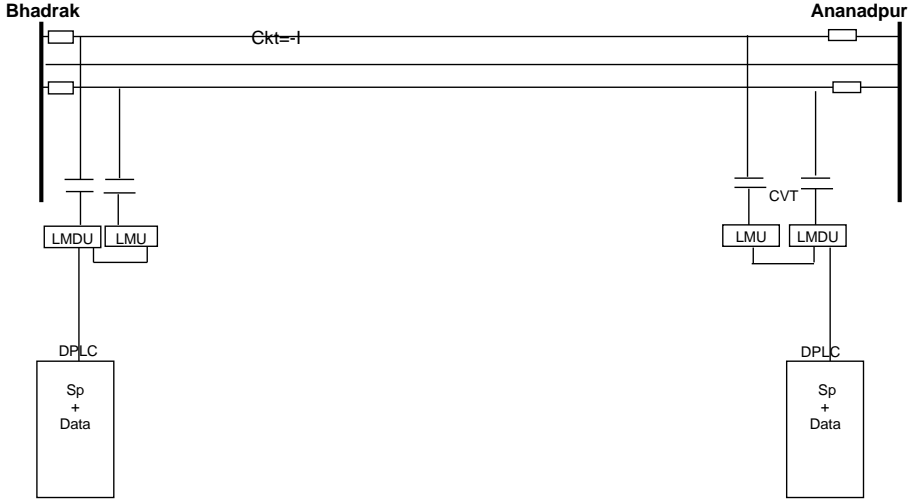
132/33 KV S/S  
BANKI  
(UNDER CONSTRUCTION)



C1 - 1200-600-300-1-1-1-1-1  
 C2 - 800-400-200-1-1-1-1  
 S - SEIMENS

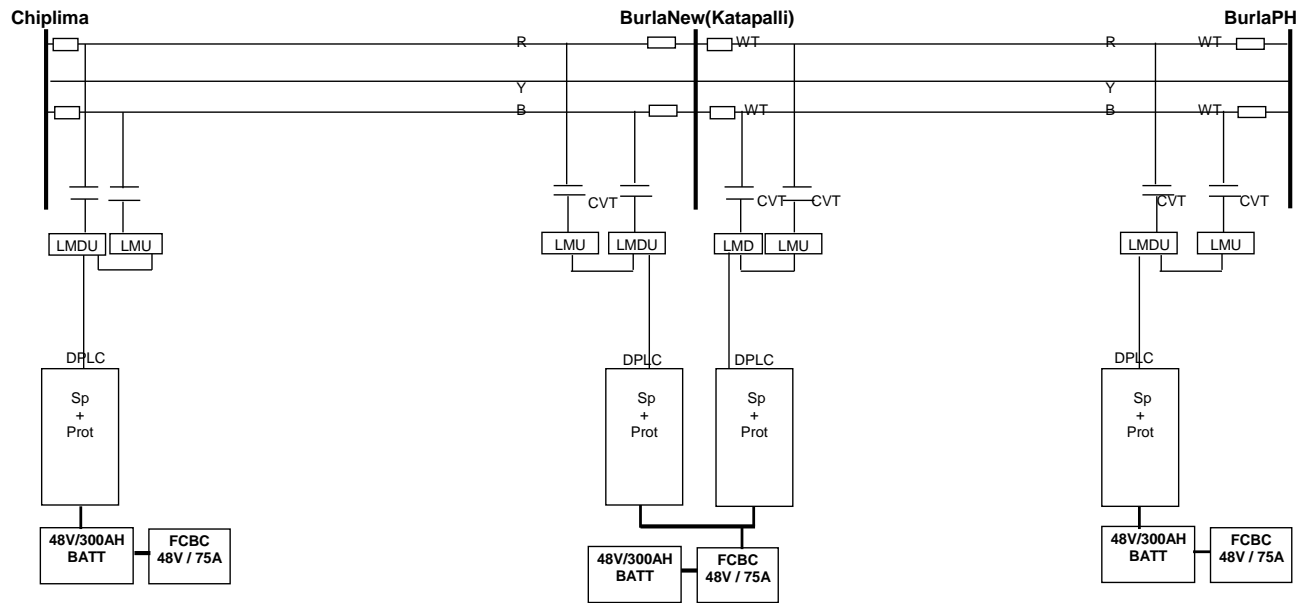
220/132 kV S/S  
 BHADRAK  
 YOC - 2009  
 Ph : ( 06784 ) 240269

**SCHEMATIC LAYOUT FOR SPEECH & DATA APPLICABLE TO  
132KV BHADRAK-ANANDPUR SC LINE**

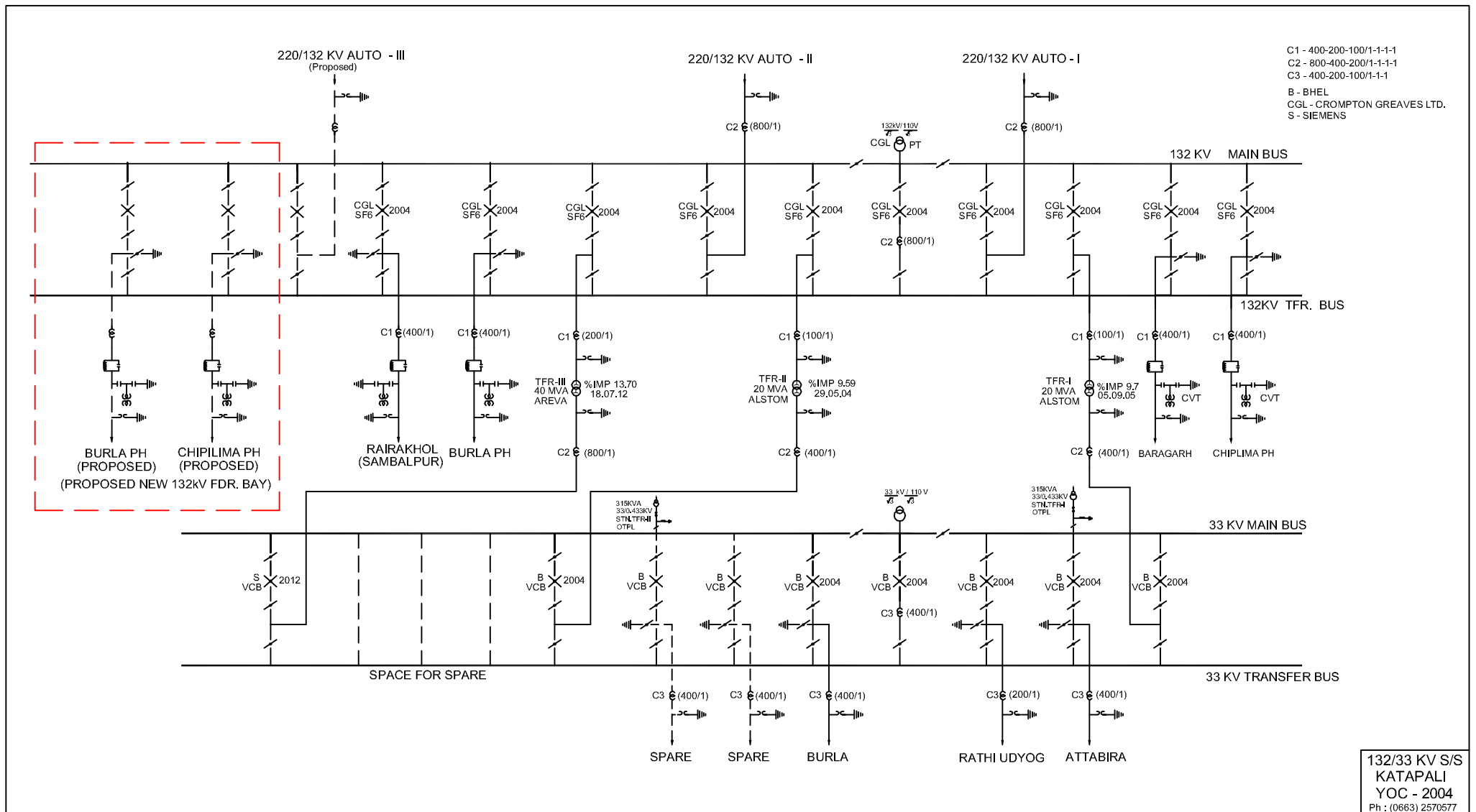


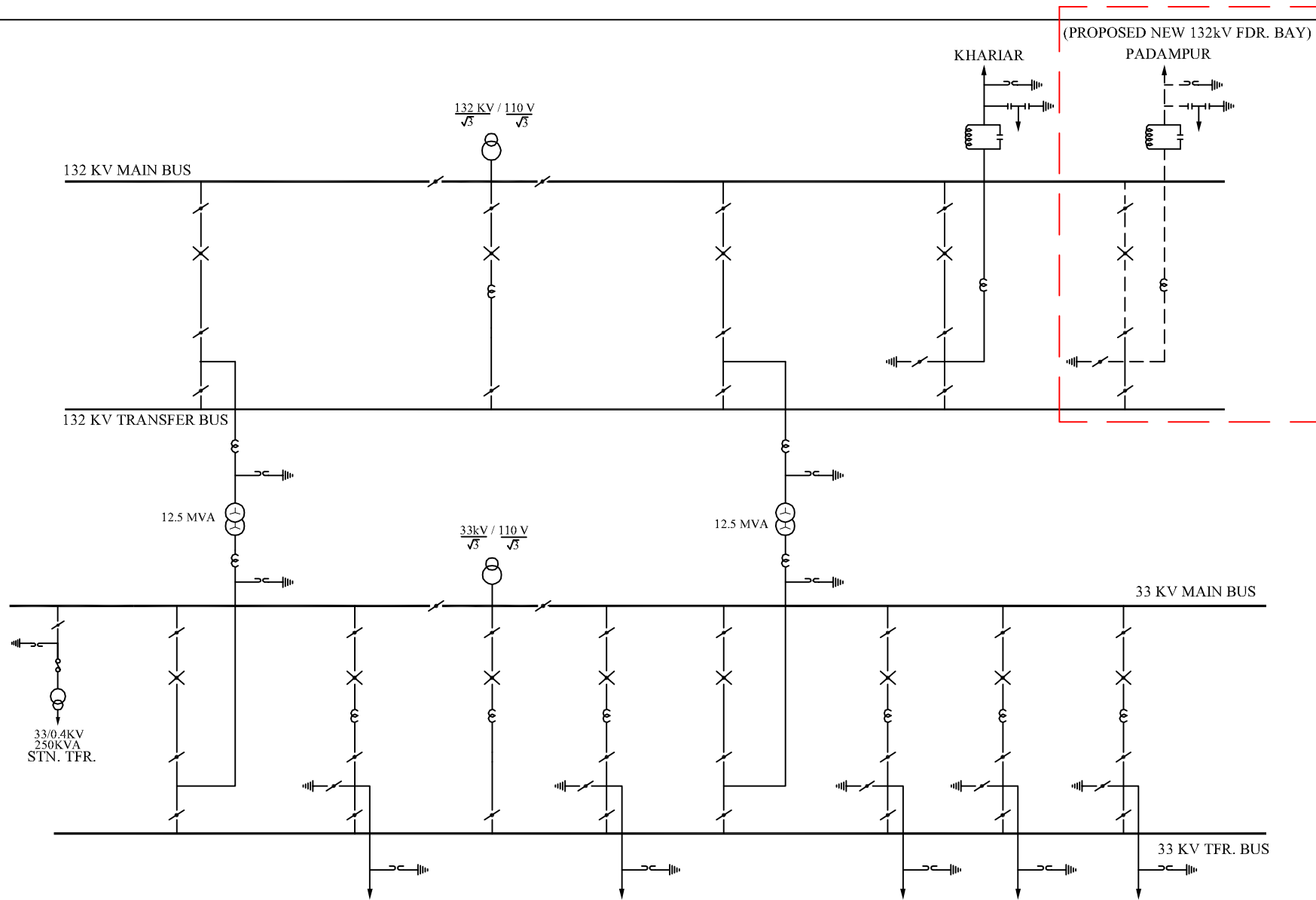
GENERAL MANAGER  
TELECOMMUNICATION

**SCHEMATIC LAYOUT FOR SPEECH & DATA APPLICABLE TO 132KV CHIPLIMA-BURLA LILO AT BURLA NEW(KATAPALLI)**



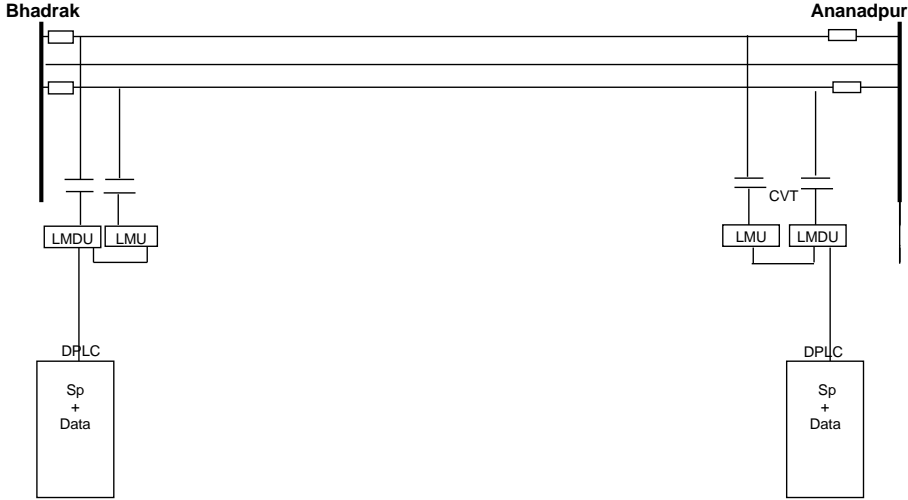
GENERAL MANAGER  
TELECOMMUNICATION





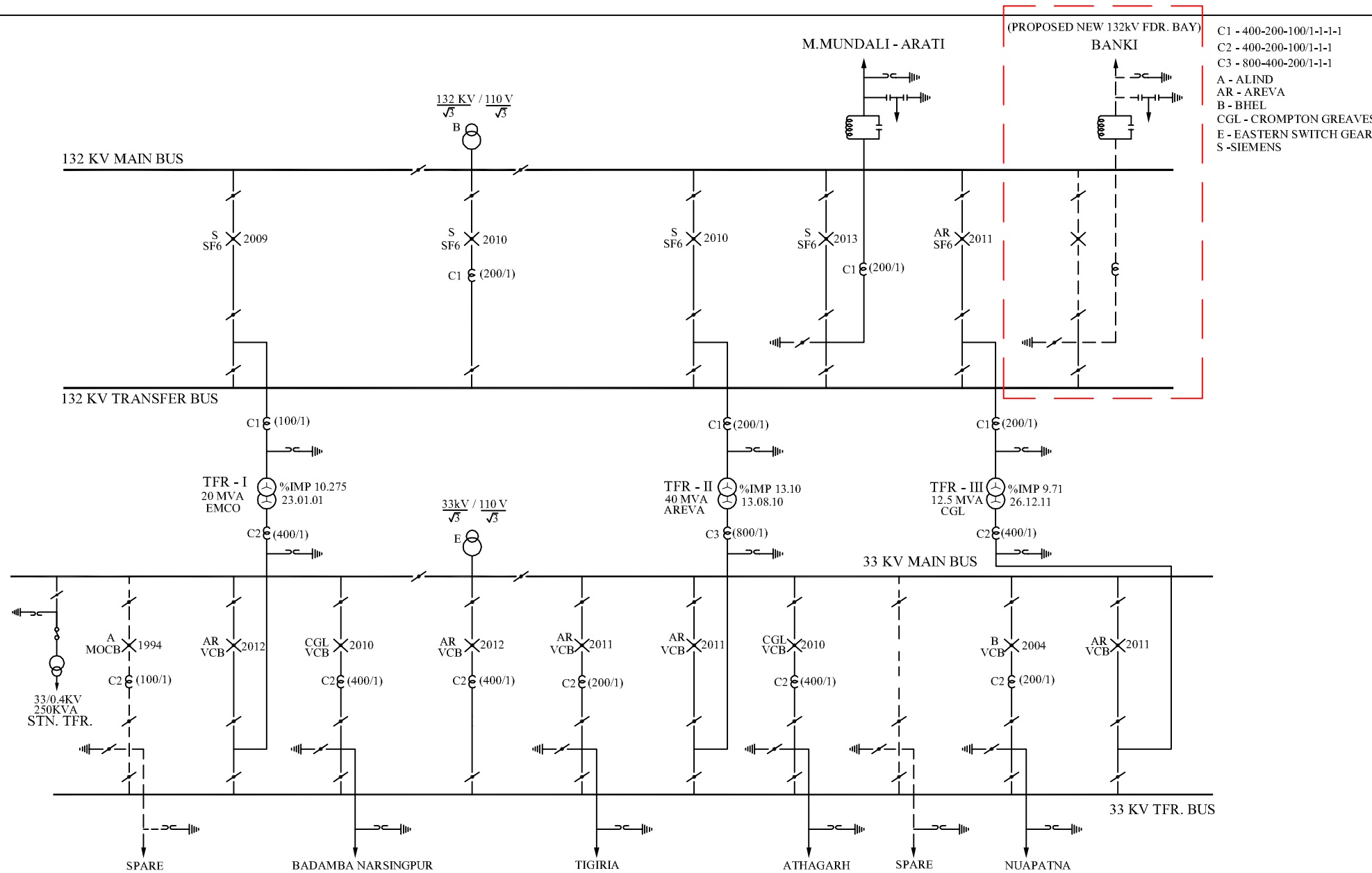
132/33 KV S/S  
 NUAPADA  
 (UNDER CONSTRUCTION)

**SCHEMATIC LAYOUT FOR SPEECH & DATA APPLICABLE TO  
132KV NUAPADA-PADAMPUR SC LINE**



GENERAL MANAGER  
TELECOMMUNICATION

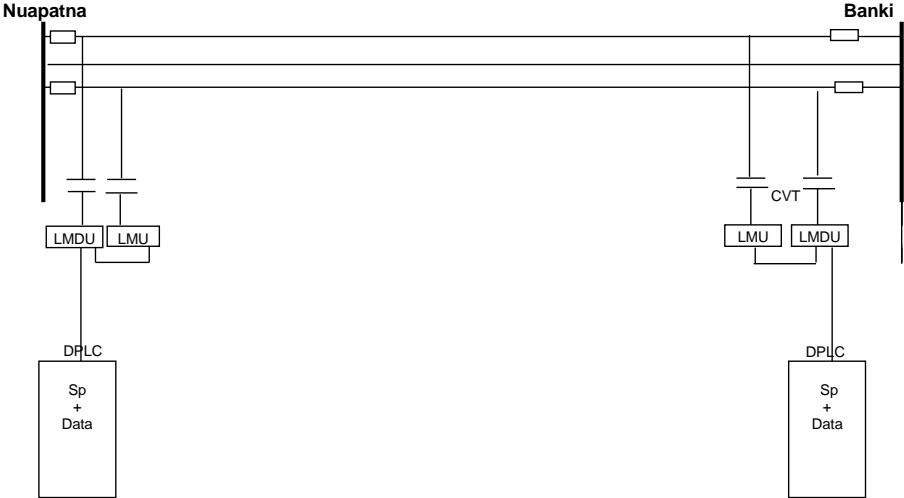




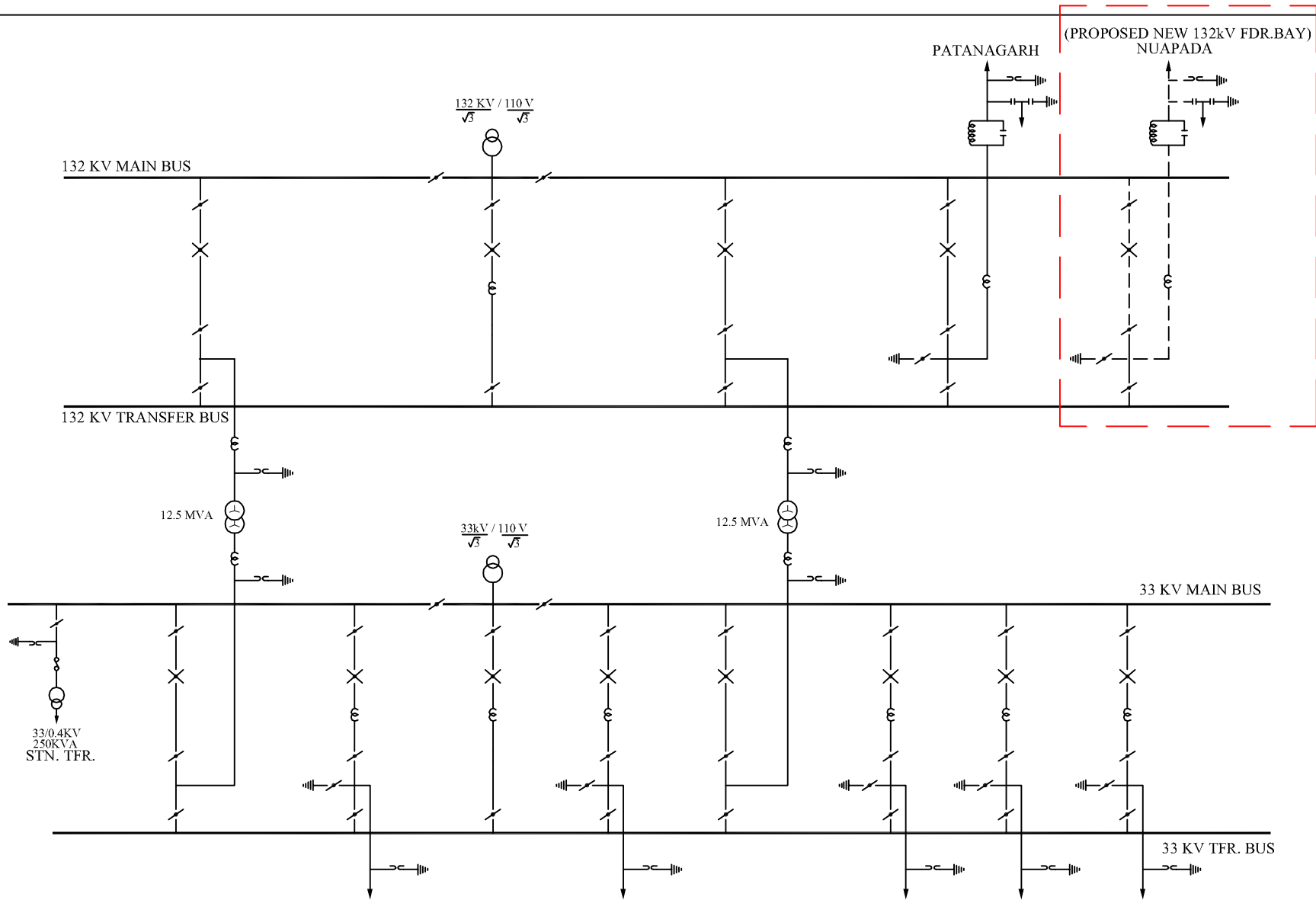
- C1 - 400-200-100/1-1-1-1
- C2 - 400-200-100/1-1-1
- C3 - 800-400-200/1-1-1
- A - ALIND
- AR - AREVA
- B - BHEL
- CGL - CROMPTON GREAVES
- E - EASTERN SWITCH GEAR
- S - SIEMENS

132/33 KV S/S  
 NUAPATNA  
 YOC - 1994  
 Ph:(06723) 238217

**SCHEMATIC LAYOUT FOR SPEECH & DATA APPLICABLE TO  
132KV NUAPATNA-BANKI SC LINE**



GENERAL MANAGER  
TELECOMMUNICATION



132/33 KV S/S  
PADAMPUR  
(UNDER CONSTRUCTION)