

ELEVATION  
TYPICAL SPRAY SYSTEM DRAWING FOR REACTOR

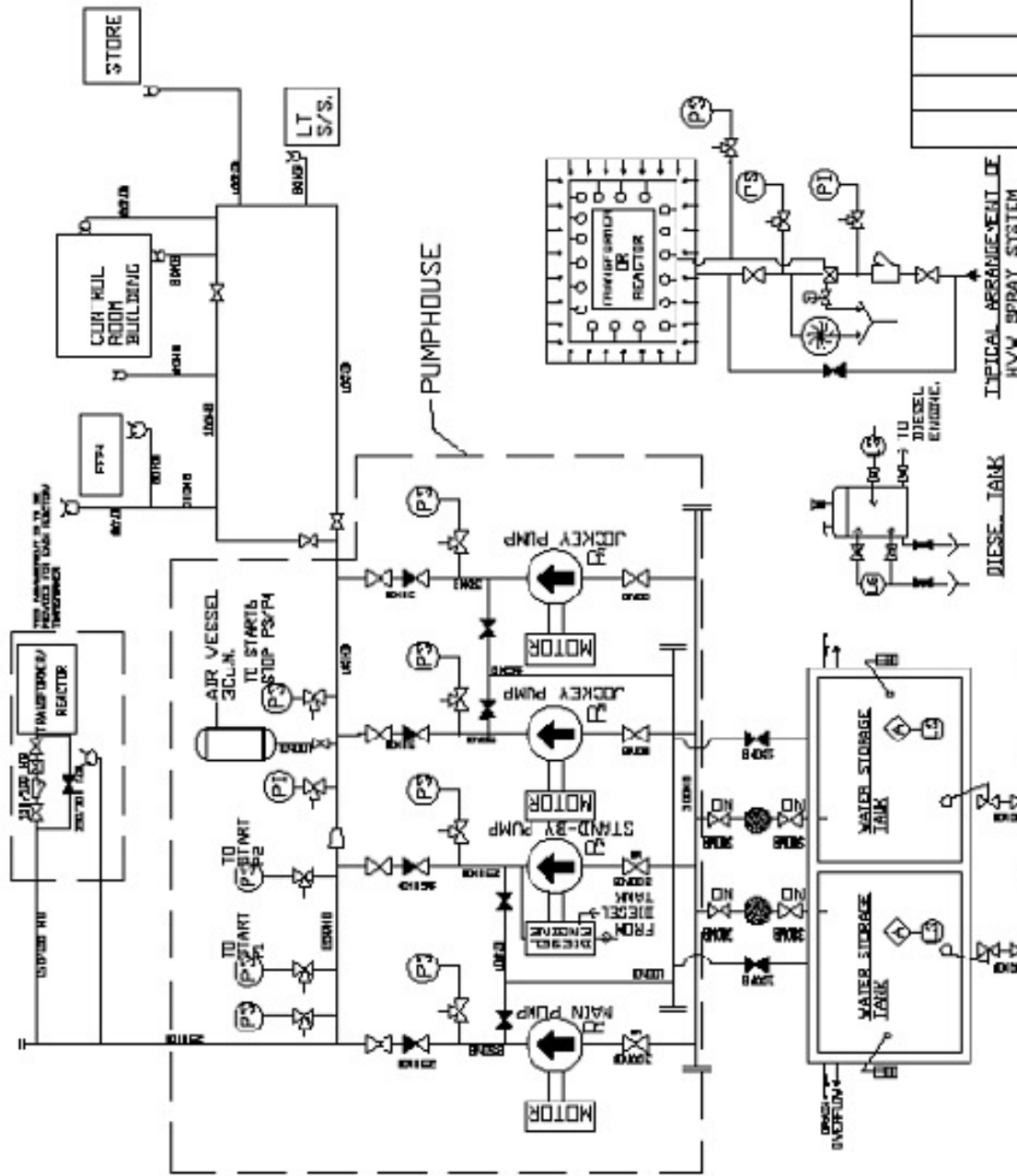




APPENDIX-2  
TO TECHNICAL SPECIFICATION  
FOR FIRE PROTECTION SYSTEMS REV-3

LEGEND

- ALARM
- GATE VALVE NORMALLY OPEN
- GATE VALVE NORMALLY CLOSED
- REF-RETURN VALVE
- GLOBE VALVE NORMALLY OPEN
- GLOBE VALVE NORMALLY CLOSED
- OP. (MAN) OPERATED GATE VALVE
- TEST VALVE
- PRESSURE GAUGE
- POURSAUT SWITCH
- LEVEL GAUGE
- LEVEL SWITCH
- SHRINK STRAINER
- FLOAT OPERATED LEVEL GAUGE
- Y-TYPE STRAINER
- WATER MOTOR COING
- REDUCER
- THREE WAY COCK/ VALVE
- VENT
- BRASS
- OUT DOOR HYDRANT
- QUARTZOID BILLS DETECTOR
- HVM SPRAY NOZZLE
- P.JUMP
- WATER LINE
- BELIEGE VALVE

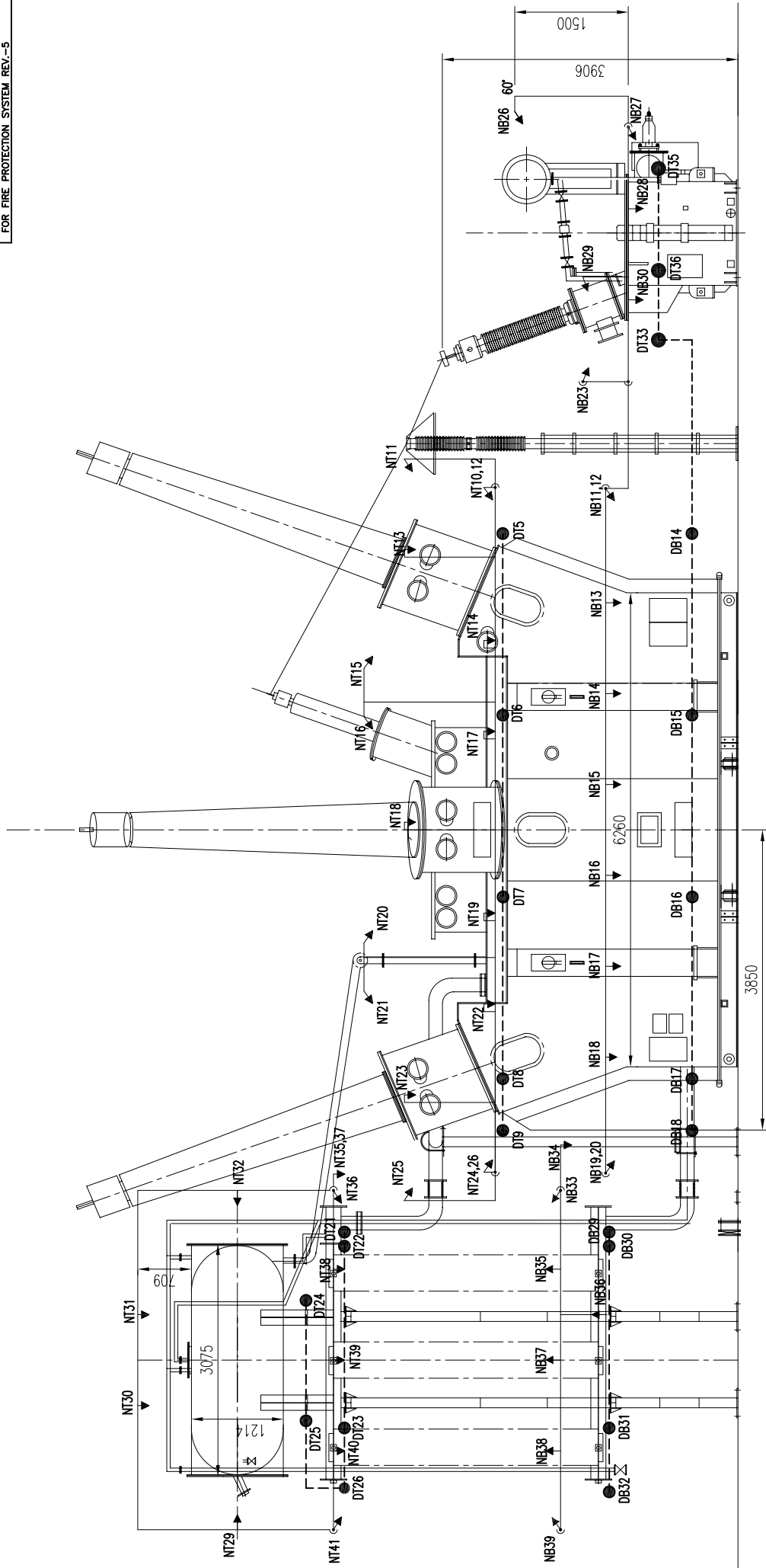


NOTE 1. THE HYDRANT PIPES FOR TRANSFORMER/ REACTOR SHALL BE LOCATED AT LEAST 50M AWAY FROM THEM.  
 2. NO SAFETY VALVE/ A WARNING PLATE SHALL BE PLACED NEAR HYDRANT PIPES FOR TRANSFORMER/ REACTOR TO AVOID ANY ACCIDENTS. THE PIPES SHALL BE COVERED BY THE TENDER DECK AND THERE ARE NO LIVE PART VISIBLE TO A DISTANCE OF THE HORIZONTAL USING THE HYDRANT.

FOR TENDER PURPOSE ONLY	
LAPANGA S/S (OPTCL)	
PROJECT	7534/ AND 404/ SUBSTATION
DESIGNER	PTCL
DATE	13/07/2014
REVISION	NO. 1
DATE	13/07/2014
REVISION	NO. 2
DATE	13/07/2014
REVISION	NO. 3
DATE	13/07/2014
REVISION	NO. 4







ELEVATION  
TYPICAL SPRAY SYSTEM DRAWING FOR REACTOR



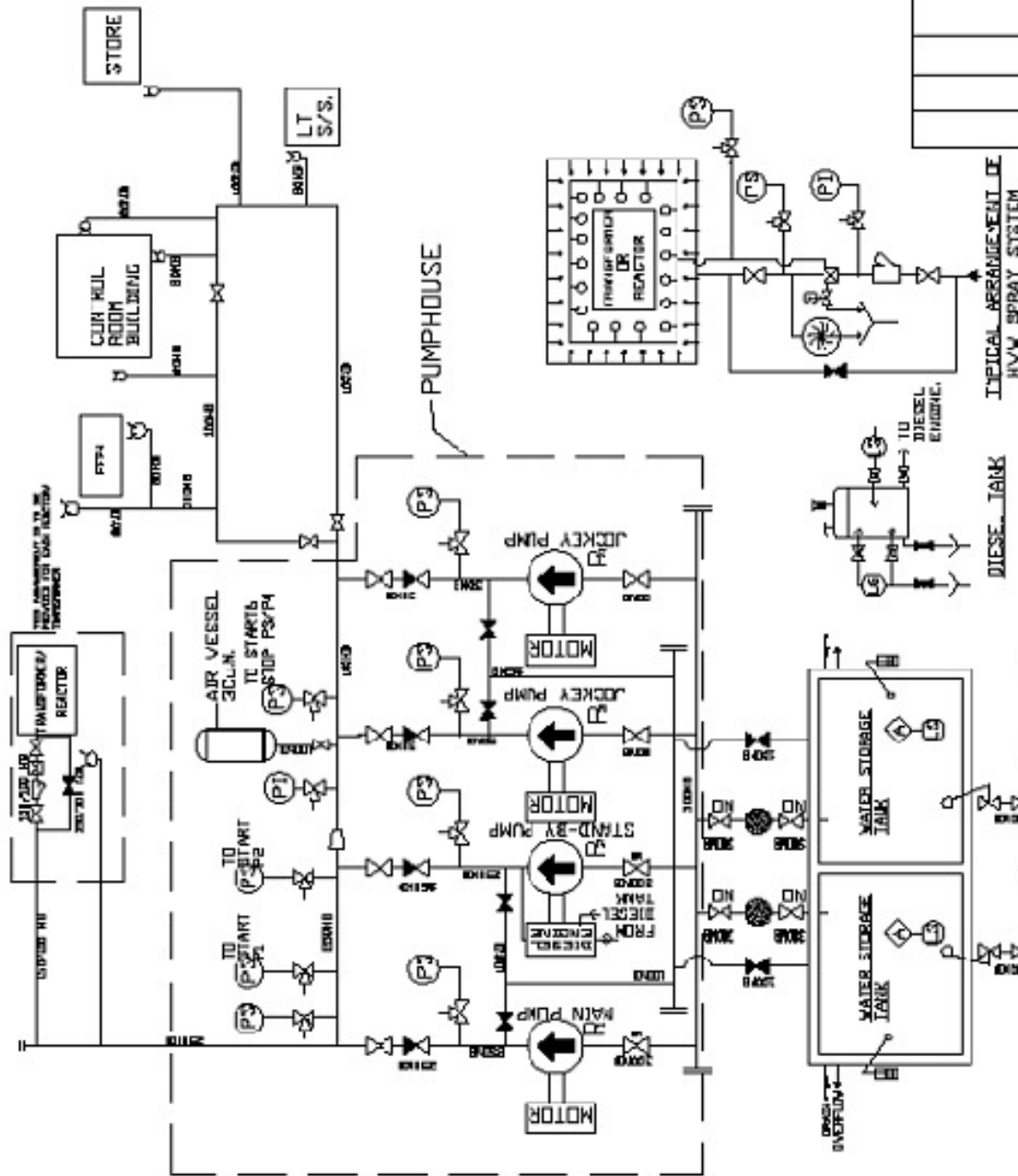




APPENDIX-2  
TO TECHNICAL SPECIFICATION  
FOR FIRE PROTECTION SYSTEMS REV-3

LEGEND

- ALARM
- GATE VALVE NORMALLY OPEN
- GATE VALVE NORMALLY CLOSED
- REF-RETURN VALVE
- GLOBE VALVE NORMALLY OPEN
- GLOBE VALVE NORMALLY CLOSED
- OP. (MAN) OPERATED GATE VALVE
- TEST VALVE
- PRESSURE GAUGE
- POURSAUT SWITCH
- LEVEL GAUGE
- LEVEL SWITCH
- SHRINK STRAINER
- FLOAT OPERATED LEVEL GAUGE
- Y-TYPE STRAINER
- WATER MOTOR COING
- REDUCER
- THREE WAY COCK/ VALVE
- VENT
- SHRINK
- OUT DOOR HYDRANT
- QUARTZOID BILLS DETECTOR
- HVM SPRAY NOZZLE
- P.JUMP
- WATER LINE
- BELIEGE VALVE



NOTE 1. THE HYDRANT PIPES FOR TRANSFORMER/ REACTOR SHALL BE LOCATED AT LEAST 50M AWAY FROM THEM.  
 2. NO SAFETY VALVE/ A WARNING PLATE SHALL BE PLACED NEAR HYDRANT PIPES FOR TRANSFORMER/ REACTOR TO AVOID ANY ACCIDENTS. THE PIPES SHALL BE COVERED BY THE TENDER DECK AND THERE ARE NO LIVE PART VISIBLE TO A DISTANCE OF THE HYDRANT USING THE HYDRANT.

FOR TENDER PURPOSE ONLY	
LAPANGA S/S (OPTCL)	
PROJECT	75334/ AND 400M/ SUBSTATION
DESIGNER	PTCL
DATE	13/05/2014
REVISION	NO. 1
DATE	13/05/2014
REVISION	NO. 1
DATE	13/05/2014
REVISION	NO. 1

RECOMMENDED  
 DATE 13/05/2014  
 REV 1  
 SHEET 3 OF 3

