



ODISHA POWER TRANSMISSION CORPORATION LTD.
OFFICE OF THE DY GENERAL MANAGER(ELECT.)
EHT(O&M)DIVISION, DHENKANAL.
AT-Laxmi Nagar, Syamacharanpur, Dist-Dhenkanal, PIN-759001.
PH. NO. 06762-223002 ,
Email: ehm.div.dkl@optcl.co.in

TENDER SPECIFICATION
NO-02/2020-21.

FOR “PROCUREMENT OF 20 NOS OF CT CONSOLE BOXES AND 06 NOS OF PT CONSOLE BOXES FOR 132/33KV GRID S/S, DHENKANAL UNDER EHT(O&M) DIVISION DHENKANAL”

SALE OF TENDER SPECIFICATION:	DT-.26.03.2021
LAST DATE SALE OF TENDER SPECIFICATION:	DT-.06.04.2021 up to 1.00 PM
LAST DATE OF SUBMISSION OF TENDER:	DT-.06.04.2021 up to 3.00 PM
DATE OF OPENING OF TENDER:	DT-.06.04.2021 up to 4.00 PM
COST OF TENDER PAPER:	Rs. 2000.00 + GST 12%(Rs 2240.00)

NO. EHT(O&M)/DIVISION/...../DT.....

ISSUED TO,

M/S.....

.....

.....

CONTENTS

1. SECTION-I	Instruction to Bidders.
2. SECTION-II	General Terms & Condition of contract.
3. SECTION-III	Technical Specification of the materials.
4. ANNEXURE-1	Schedule of Price
5. ANNEXURE-11	Detail Data Sheet to be furnished by the Tenderers
5. Price of tender Document	Rs. 2000 /-+ GST 12% = 2240 /- (Rupees two thousand two hundred forty) only
6. COMMENCEMENT OF SALE OF TENDER PAPER.	From dt.26.03.2021 to dt.06.04.2021 AT EHT (O&M) Division, Dhenkanal. (During office hours)
7. LAST DATE & TIME OF RECEIPT OF TENDER PAPER.	From dt.06.04.2021 (Up to 3.00 P.M.) AT EHT (O&M) Division, Dhenkanal.
8. DATE & TIME OF OPENING OF TENDER	From dt.06.04.2021 at 4.00 P.M. AT EHT (O&M) Division, Dhenkanal.
9. Tender posted by the registered post to should be reached at	Odisha Power Transmission Corporation Ltd. O/O The Dy. General Manager, Laxmi nagar, Syamacharanpur, Dhenkanal PIN-759001.

SECTION-1

INSTRUCTION TO BIDDERS -

The Bidders must read in detail the “Instruction to Bidders” and “General terms and conditions” before filling the tender documents.

1. TENDERS:

- A) Bidders must submit their bids with original signature. Only those who have purchased the Tender specification from this office can submit their Tender & tenders submitted by other mean will be rejected.
- B) Tender must be submitted with other documents in duly sealed cover subscribed as tender against “Tender call Notice No. 02/2020-21 & Date of opening of Tender on the body of the sealed envelope” on or before 06.04.21 for opening and addressed to the **Dy. General Manager, EHT (O & M) Division, Laxmi Nagar, Syamacharanpur, OPTCL, Dhenkanal.**
- C) Tender shall be submitted either in person or by registered post. Any other means of delivery shall not be accepted. Detailed postal address with PIN No, must be mentioned in the application requesting for tender document and on the tender bid. The tender submitted to any responsible officer after due date and time will not be considered. The authority is not responsible for receipt of tender after due date due to postal delay or any other reasons. The tender should be posted by the registered post to reach at **Odisha Power Transmission Corporation Ltd., Office of the Dy. General Manager, EHT (O & M) Division, Laxmi Nagar, Syamacharanpur, Dhenkanal, Dist- Dhenkanal (Odisha), Pin Code- 759001.**
- D) The bidder has to deposit EMD @ 1% of quoted value in shape of cash / bank draft drawn in favour of Dy. General Manager, EHT (O & M) Division, Dhenkanal. The EMD of successful tenderers will be refunded after deposit of security-cum-performance deposit. The EMD of all unsuccessful tenderers shall be refunded on written request after finalization of tender. No interest shall be paid on EMD. No adjustment towards EMD shall be permitted against outstanding amount, if any, remained with the OPTCL.

2. FORFEITURE OF EMD:

- A) In the event the successful tenderer fails to supply the materials as per the technical specification the EMD so deposited shall be forfeited.
- B) Any deviation from the terms and conditions of the contract the EMD so deposited shall be forfeited without any notice.

3. INFORMATION ON COMPETITORS:

Bidders have right to know information on competitors only at the time of opening of the bids. No further information on competitors shall be provided at any other point / stage of the tender without prejudice to Right to Information Act – 2005.

4. OPENING OF TENDERS:

- A) Copy of **PAN Card & GST Registration Certificate** must be enclosed with the tender bids.
 - B) Bidders themselves or their authorized representatives limited to one person only (possessing authorization letter in original) shall be allowed to attend opening event of the tenders.
5. The purchaser may alter the quantities of materials at the time of placing orders. Orders may also be split up among more than one tenderer if necessary. **The purchaser reserves the right to reject the lowest or any other Tender or all tenders without assigning any reason what so ever.**
 6. Tender should be prepared clearly and without any overwriting and corrections. Erasures and other changes shall bear the dated initial of the person signing the Tender.
 7. In the event of discrepancy or arithmetical error in the schedule of price, the decision of the purchaser shall be final and binding on the tenderer. For evaluation, the price mentioned in words shall be taken if there is any difference in figure and word in the price bid.

Section -II

GENERAL TERMS AND CONDITIONS -

1. PRICE: -

- (a) The price quoted should be firm, F.O.R. destination inclusive of freight, Insurance, Packing, Forwarding charges inclusive discount if any.
- (b) Taxes, if any shall be mentioned extra. The tender may quote rate in respect of different make Materials as per scheduled.

2. VALIDITY: -

The offer should be valid for at least a period of 180 (one hundred eighty) days from the date of opening of the tender .

3. TERMS OF PAYMENT: -

100 % Payment along with full taxes & duties(as applicable)will be paid by the paying officer after receipt of materials in full and in good condition & due verification thereof by the consignee & approval of Guarantee Certificate from the undersigned and on receipt of funds from Head office in this regards. The bill in triplicate should be submitted to the paying officer along with completion report duly verified by the concerned Consignee.

4. DELIVERY:-

The materials in full quantity shall be delivered within 30 days of receipt of purchase order, failing which purchase order shall be liable for cancellation with forfeiture of Earnest money/ Security Deposit. However early delivery shall be preferred.

5. PENALTY FOR DELAY IN DELIVERY:

If the supplier shall fail to deliver the materials within the delivery period as stipulated under clause No.4 (Section-II) of this Tender document or any extension granted there to, the purchaser shall recover from the supplier penalty for a sum of half percent (i.e. 0.5 percent) of the contract price for each calendar week or part thereof of delay. However the total amount of penalty shall not exceed 5% (five percent) of the contract/ undelivered items price. Materials will be deemed to have been delivered only when all the component parts are also delivered. If certain components are not delivered in time, the supply will be treated as delayed until such time the missing/ undelivered parts are delivered.

6. FORCE MAJEURE:

The Contractor shall not be liable for any penalty for delay or for failure to perform the for reasons of force majeure such as acts of god, acts of the public enemy, acts of Govt., Fires, floods, epidemics, Quarantine restrictions, strikes, Freight Embargo and provided that the Contractor shall within Ten (10) days from the beginning of delay on such account notify the purchaser in writing of the cause of delay. The purchaser shall verify the facts and grant such extension, if facts justify.

7. REJECTION OF MATERIALS:

In the event of any of the materials supplied by the supplier is found defective in materials or Workmanship or otherwise not in conformity with the requirements of the contract specification. The purchaser shall either reject the materials or request the supplier in writing to replace the same. The supplier on receipt of such notice shall replace the defective materials free of cost to the purchaser. If the supplier fails to do so, the purchaser may terminate the contract for balance materials with enforcement of penalty as per contract & forfeiture of Security deposit.

8. EXTENSION OF TIME:

If the delivery of materials are delayed due to reason beyond the control of supplier, the supplier shall without delay give justification. The purchaser on receipt of such notice may agree to extend the contract delivery date if reasonable but without prejudice to other terms and conditions of this contract.

9. MANNER OF EXECUTION:

All materials to be supplied under the contract shall conform to the latest publication of relevant ISS.

10. EARNEST MONEY:-

Earnest Money @1% of the offered value of total quantity shall be accompanied in shape of **Bank draft/ Cash** in favour of '**Dy General Manager, EHT (O&M) Division, Laxmi Nagar, Syamacharanpur Dhenkanal**'. The Tenders without Earnest Money shall be liable for rejection. No interest shall be paid on EMD. The B.D / original money receipt for the EMD should be enclosed along with original Tender paper.

11. INSURANCE:

Insurance of materials is to be done by the supplier at their own cost. The responsibility of delivery of the materials at destination in good condition rests with the supplier. Any claim with the insurance company Railway authority/ Road transport authorities arising due to loss or damage in transits has to be settled by the supplier. The supplier shall undertake free replacement of materials damage or lost which will be reported by the consignee within 30 Days of the receipt of the materials at destination without waiting for the settlement of the claims with the carriers and underwriters.

12. DISPATCH INSTRUCTIONS:

The materials should be securely packed and dispatched by Rail/ road transport at locations as mentioned below to the consignee. The cost of transportation will be born by the supplier.

13. FREE REPLACEMENT:

Free replacement of materials lost/ damaged due to transit shall be made immediately on receipt of the intimation from the consignee / paying Officer without awaiting for settlement of the claim of bidders with Railway/ Lorry/ Insurance Company.

14. GUARANTEE:-

The materials covered under this contract should be guaranteed for trouble free and satisfactory performance against any defect in design, materials and workmanship for a Period of at least 12 (twelve) months from the date of delivery. So the Firm has to submit Guarantee Certificate in triplicate to the undersigned for approval before of Payment. Any defect noticed during this period should be rectified / replaced by the firm free of cost provided such defects are due to faulty design, bad workmanship or bad materials used. The replaced materials should also have similar guarantee. In the event of any breach on default in all or any condition of purchase order Security Deposit will be forfeited.

15. SECURITY DEPOSIT:

The successful Tenderer has to deposit **10%** of the contract value in shape of Cash / Bank Draft in favour of **Dy. General Manager, EHT(O&M) Division, , Laxmi Nagar, Syamacharanpur Dhenkanal** as Security Deposit within 15 days of issue of purchase order. If not submitted it shall be deducted from the bill. In case of non-execution of order the EMD shall be forfeited. The Security Deposit amount will be refunded after successful completion of the guarantee period. The security deposit shall not carry any interest.

16. CONSIGNEE: -

The SDO in charge of respective Grid S/S is the consignee & verifying officer for the contract.

17. PAYING OFFICER: -

The Dy General Manager, EHT (O&M) Division, Dhenkanal.

18.PAST EXPERIENCE OF SUPPLY, PERFORMANCE CERTIFICATE-

Past experience of execution of purchase order need to be furnished by the bidders.

19. DEVIATION IN SPECIFICATION-

If any change in the technical parameters equivalent to the above specification may be clearly mentioned separately.

20. ADDITION & ALTERATION: -

The authority reserves the right to add or to reduce the quantum of materials without assigning any reasons thereof.

21. RIGHT TO REJECT / ACCEPT ANY TENDER: -

The Authority reserves the right, either to reject or accept any or all the tenders without assigning any reasons thereof.

22. JURISDICTION OF THE COURT: -

Dispute if any, arising against the supply order issued to the supplier shall be filed by either party in any court of law to which the jurisdiction of Odisha High Court extends.

23. SUBMISSION OF PAN NO. &, GST REGISTRATION NO :-

Clear attested Xerox copies of valid PAN Card, & GST registration certificate on the date of opening of tender should be submitted along with the tender, failing which, the tender will be rejected.

Dy General Manager(Elect.)

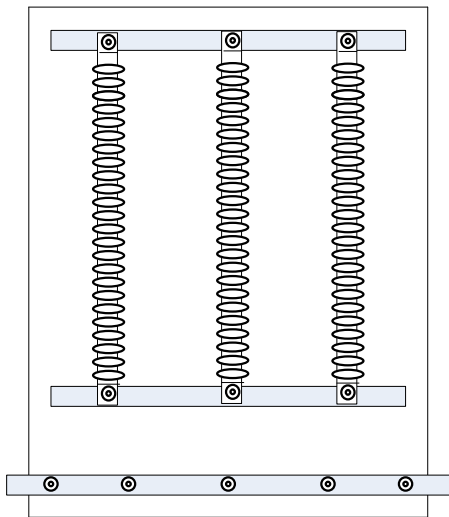
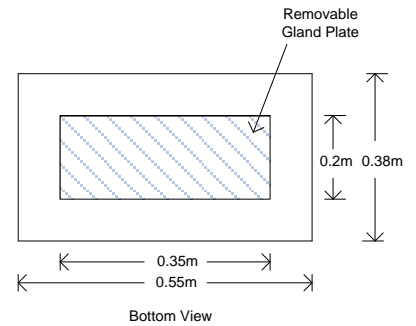
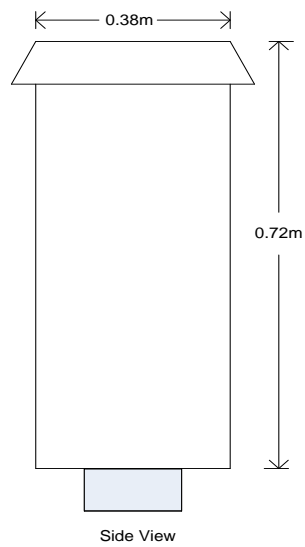
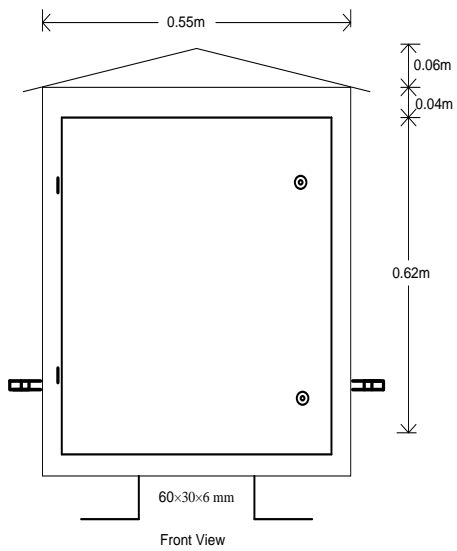
SECTION-III

TECHNICAL SPECIFICATION

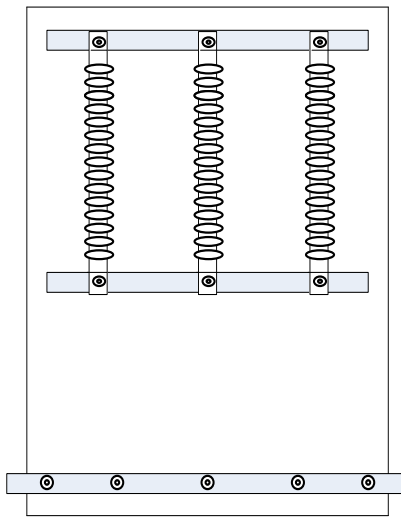
For Outdoor Type CT, CVT & PT Console Boxes

1. The CT/ CVT/ PT console boxes shall be fabricated with 2.0mm CR sheet steel, dust and vermin proof, duly painted with powder coated Siemens grey colour, two nos of 60×30×6mm MS angle welded at the bottom.
2. The dimensions of all 132KV & 33KV console boxes are same.
3. Panel must have both front (hinges, gaskets and manual locking arrangement to be provided).
4. Roof of the panel to be slightly slanting i.e. minimum 50mm out from panel, made of 2mm Aluminium sheet.
5. Bottom plate to be made of Aluminium sheet with powdered coated Siemens grey colour.
6. Materials: Door gasket, door hinges, door lock and key, din rail, suitable channel for mounting the din rail, Terminal block(Elmex CAT M4), Cable glands, HRC fuse base with carrier 16A 415V AC and copper plate for earthing (25×5mm×0.7m).
7. Suitable cable glands of heavy duty, double compression type made up of brass shall be provided at the bottom of the box.
8. General drawing for dimension of console boxes and internal layout as stipulated in the technical specification should be followed strictly.

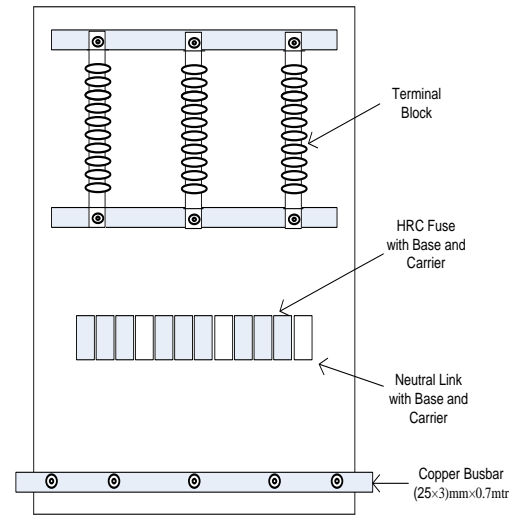
Dy General Manager(Elect.)



132 KV CT Console Box
TB: 72 Nos.(24×3)



33 KV CT Console Box
TB: 45 Nos.(15×3)



132 & 33KV CVT/PT Console Box
i) TB: 30 Nos.(10×3)
ii) 20A, 550V AC Fuse: 09Nos
iii) 20A, 550V AC Neutral Link Base with Carrier: 03 Nos.

ANNEXURE-1
PRICE SCHEDULE

SI No	Description of Materials	Unit	Qty	Rate	Total Amount
(A)	CT Console Box				
1	CT Console Box made of 2 mm thick CRCA MS Sheet painted with Siemen's Grey colour. Box Size (570 mm X 450 mm x 170 mm)	Nos	20		
2	2.5 sq mm disconnected type terminals	Nos	800		
3	Cu Bus Bar for Earthing	Nos	20		
4	Terminal Channel	Nos	20		
(B)	PT Console Box				
1	PT Console Box made of 2 mm thick CRCA MS Sheet painted with Siemen's Grey colour. Box Size (570 mm X 450 mm x 170 mm)	Nos	6		
2	2.5 sq mm disconnected type terminals	Nos	250		
3	Cu Bus Bar for Earthing	Nos	6		
4	Terminal Channel	Nos	6		
5	32A HRC Fuse with complete set	Nos	36		
	TOTAL AMOUNT				
	GST 18%				
	TOTAL AMOUNT INCLUDING GST				

In Words(.....
.....) only.

Date-
Place-

Signature of the Tenderer
with seal.

ANNEXURE-11

DETAILED DATA SHEET TO BE FURNISHED BY THE TENDERERS

1	Name of the Agency/Contractor with detailed postal address.	
2	Earnest money deposited vide Bank Draft No./ money receipt No _____ date _____ amount in Rs. _____ (Rupees _____)only	
3	Tender Paper purchased vide Cash receipt no / Bank Draft No.....Dated..... Amount in Rs (Rupees.....)only	
4	Attested copy of valid GST registration certificate	Furnished / Not furnished
5	Attested copy of PAN card	Furnished / Not furnished
6	Agreed to furnish Contract security deposit	Yes /No
7	Agreed to accept payment terms as per the tender specification	Yes /No
8	Agreed to adhere to supply of materials as per the tender specification	Yes /No
9	Agreed to accept penalty clause as per the tender	Yes /No
10	Guarantee, Whether agreeable to OPTCL Terms	Yes /No
11	Attach past experience certificate for similar job in OPTCL/ DISCOM/ OHPC/ OPGC or any other agencies	Yes /No

Date

**Signature of the Tenderer
with seal.**

DETAILED DATA SHEET TO BE FURNISHED BY THE TENDERERS

1	Name of the Agency/Contractor with detailed postal address with contact no.	
2	Earnest money deposited vide Bank Draft No./ money receipt No _____ date _____ amount in Rs. _____(Rupees _____) only	
3	Tender Paper purchased vide Cash receipt no / Bank Draft No.....Dated..... Amount in Rs (Rupees.....)only	
4	Attested copy of valid GST registration certificate	Furnished / Not furnished
5	Attested copy of PAN card	Furnished / Not furnished
6	Attested copy of Electrical Contract License (HT/EHT)	Furnished / Not furnished
7	Labour License.	Furnished / Not furnished

8	Agreed to furnish Contract security deposit	Yes /No
9	Agreed to accept payment terms as per the tender specification	Yes /No
10	Agreed to adhere Completion period as per the tender specification	Yes /No
11	Agreed to accept penalty clause as per the tender	Yes /No
12	Agreed to all terms & conditions of the tender specifications.	Yes /No
13	Attach past experience certificate for similar job in OPTCL/ DISCOM/ OHPC/ OPGC or any other agencies	Yes /No

Date

**Signature of the Tenderer
with seal.**